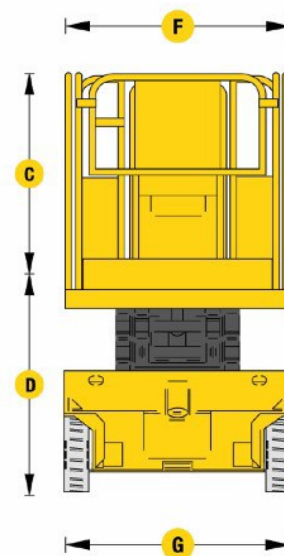
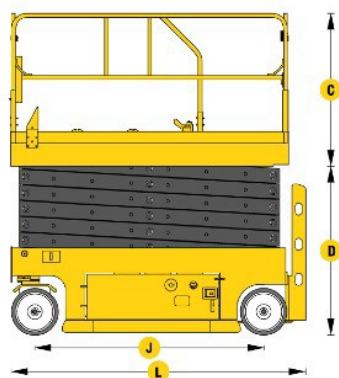
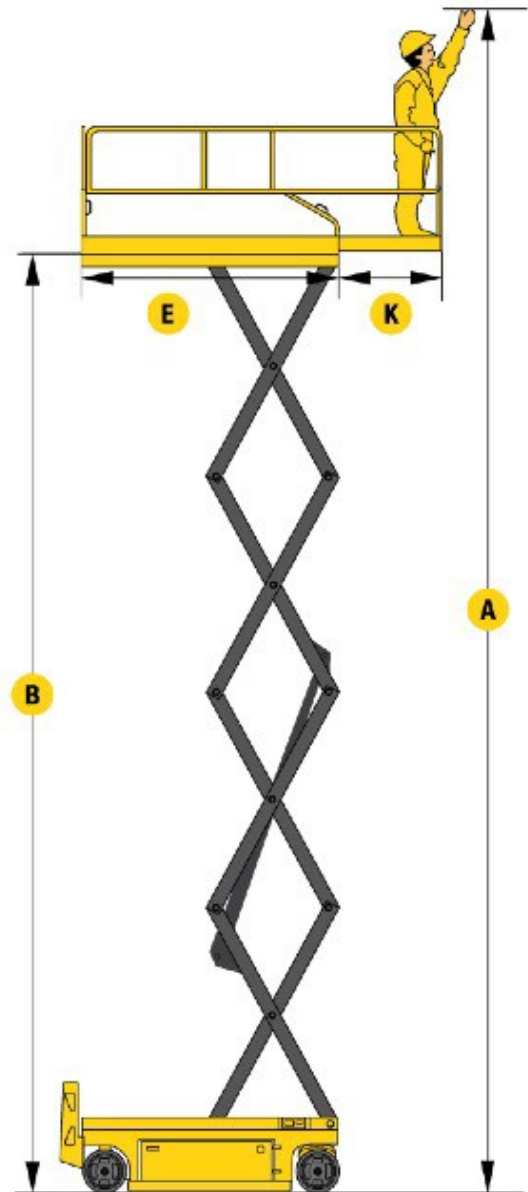


Technical Specifications

Dimensions	MPD.1615
A — Working Height	16,00 m
B — Platform Height— lifted	14,00 m
D —Platform Height— Lowered	1,80 m
D+C — Height—Stowed folding guardrails	2,90 m
Height—Stowed rails folded	2,25 m
C —Guardrail Height	1,10 m
ExF — Platform Dimensions	3,40 x 1,50 m
K — Extension Deck	1,20 m
G — Platform Width	1,50 m
L — Total Length	3,55 m
J — Wheelbase	2,42 m
Ground Clearance — Center	20 cm
Productivity	
Lift Capacity	400 kg
Extension Deck Capacity	120 kg
Maximum Platform Occupancy	3
Raise / Lower Speed	110 / 120 sn
Weight	5600 kg
Grade ability	%20
Drive Speed (Raised / Stowed)	0,8 / 2,4 km
Tyres—Solid non-marking	650×100 mm
Turning Radius	5000 mm
Power	
Power Source	48 V Battery
Lifting System / Drive Type	48 V Battery
Battery	48V 400Ah
Charger	48V 60 Ah



Measurements	Platform	Lifting Type	Optional
<ul style="list-style-type: none"> • 16,0 m working height • 400 kg lifting capacity 	<ul style="list-style-type: none"> • 3,40x1,50 m platform • 1,20 m deck extension 	<ul style="list-style-type: none"> • 48V Battery <p>Drive Type</p> <ul style="list-style-type: none"> • 48V Battery 	<ul style="list-style-type: none"> • Airline to platform • AC Power on the platform • Platform work lights • Special customer paint • Hydraulic Outriggers

Platform

- Roll-out deck extension
- Drivable at full height
- Fold down handrails
- Self lock gate on platform
- Removable platform console box
- Lanyard attach points
- Full proportional drive joystick control
- Proportional lift/lower speed control
- Overload sensor

Power and Transmission

- 48V 400 Ah tractional batteries
- Swing-out battery/electrical compartment doors
- 60 Amp automatic battery charger
- Charger protection
- Dual motor direct hydraulic front wheel drive & steer
- 2WD
- Dual rear wheel automatic hydraulic brakes
- Emergency brake release

Functional Equipment & Accessories

- Emergency lowering system
- On-board diagnostic system
- Battery condition indicator
- Hour meter
- Lubrication free scissor arm bushing
- Scissor maintenance bar
- Cylinder holding valve
- Manual descent
- Horn
- Non-marking solid tyres
- Slope motion cut out
- All motion alarm
- Descent alarm
- Tie down lugs
- Forklift pockets
- Tilt level sensor with audible alarm



ONDLIFT Mak. San. Tic. Ltd. Şti

Factory: Organize Sanayi Bolgesi 2004 Cad. No: 4
Turgutlu/Manisa/TURKEY

Showroom: İmes San. Sit. C.302 Sk. No:13
Y.Dudullu/Umraniye/Istanbul/TURKEY

Tel: 0090 236 332 5050

ondlift@ondlift.com

Product specifications are subject to change without any notice or obligation. The photographs and/or drawing in this documents are for illustrative purpose only. All productions of OndLift, manufacturing for CE standards.

Turkey
Discover the potential

Onder Lift Celik



43rd Years Anniversary

Your warehous partner

Onder Grup Company