

### Technical Specifications

- Capacity: From 500 kg to 100 tons
- Travel: 500 to 4000 mm
- Closed Height: 180 - 800 mm
- Length: 900 - 6000 mm
- Width: 650 - 3000 mm
- CE-Marked and comply with European Norms and Standards
- 2 Safety lock for maintenance
- Safety trip bar in aluminum
- Available in Ral Colors
- Large in-house lift table stock for immediate delivery



**NOTE: ALL DETAILS CAN BE CUSTOMIZED FOR YOUR NEEDS**

OndLift is biggest manufacturer company in Lifting Tables sector in Turkey and exporting 32 countries.

OndLift' s Lift Tables series, designed for high lifting capacities and performance of applications.

OndLift' s Lift Tables series can be the manufacturing with different kind of options, such as mobile base, load-ing flaps, guard rails, rollers. (for detailed information, please check Lift Table Accessories Datasheet ).

OndLift' s Lift Table series, have a vital role to create ergonomic and safe working conditions. Can be the best selection of challenging situations, high lifting capacities, intense pace of work.

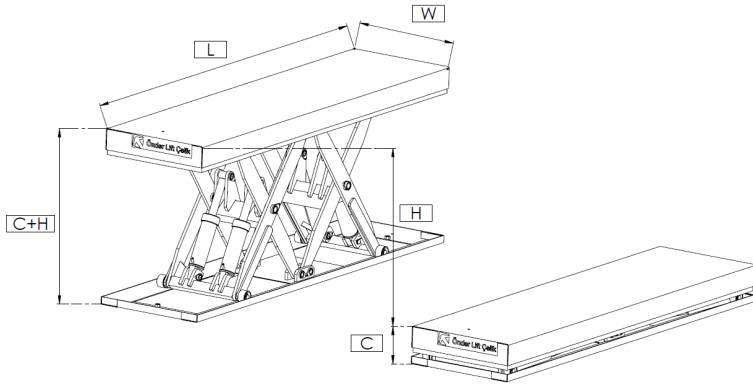
For more information [www.ondlift.com](http://www.ondlift.com)



Art No	Model	Capacity kg	Platform Dimension LxW mm x mm	Lift Stroke H mm	Closed Height C mm	Lift Time sec	Motor kW	Weight kg
60.10.001	ESPH.1/10-09	1000	2700 x 800	820	230	18	1,1	520
60.10.002	ESPH.1/10-11	1000	3600 x 900	1100	260	30	1,5	750
60.10.003	ESPH.1/10-16	1000	4500 x 1200	1600	300	30	2,2	900
60.20.100	ESPH.1/20-09	2000	2700 x 800	820	260	20	2,2	600
60.20.101	ESPH.1/20-11	2000	3600 x 900	1100	260	30	2,2	775
60.20.102	ESPH.1/20-16	2000	4500 x 1200	1600	300	30	2,2	950
60.30.200	ESPH.1/30-09	3000	2700 x 800	820	260	20	2,2	700
60.30.201	ESPH.1/30-11	3000	3600 x 900	1100	260	30	2,2	800
60.30.202	ESPH.1/30-16-1	3000	4500 x 1200	1600	300	40	3	1100
60.30.203	ESPH.1/30-16-2	3000	5000 x 1500	1600	300	45	4	1900
60.30.204	ESPH.1/30-20	3000	6000 x 2000	2000	300	45	4	2200
60.40.300	ESPH.1/40-09	4000	2700 x 800	820	300	24	2,2	850
60.40.301	ESPH.1/40-11	4000	3600 x 900	1100	300	44	2,2	1100
60.40.302	ESPH.1/40-16-1	4000	4500 x 1200	1600	350	40	4	1450
60.40.303	ESPH.1/40-16-2	4000	5000 x 1500	1600	350	45	4	2000
60.40.304	ESPH.1/40-20	4000	6000 x 2000	2000	350	50	4	2400
60.60.400	ESPH.1/60-09	6000	2700 x 800	820	350	28	3	1250
60.60.401	ESPH.1/60-11	6000	3600 x 900	1100	350	30	4	1600
60.60.402	ESPH.1/60-16-1	6000	4500 x 1200	1600	350	35	4	1800
60.60.403	ESPH.1/60-16-2	6000	5000 x 1500	1600	400	66	4	2750
60.60.404	ESPH.1/60-20	6000	6000 x 2000	2000	400	70	4	3200
60.80.500	ESPH.1/80-09	8000	2700 x 800	820	400	36	4	1500
60.80.501	ESPH.1/80-11	8000	3600 x 900	1100	400	40	4	1800
60.80.502	ESPH.1/80-16-1	8000	4500 x 1200	1600	400	45	4	1900
60.80.503	ESPH.1/80-16-2	8000	5000 x 1500	1600	400	52	4	2750
60.80.504	ESPH.1/80-20	8000	6000 x 2000	2000	400	66	4	3400

\* External power pack

## Technical Drawing



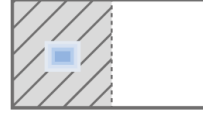
- L:** Platform Length
- W:** Platform Width
- C:** Closed Height
- H:** Stroke
- C + H:** Maximum Height

## Load Factors Accordance with EN1570-1

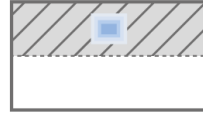
Maximum load refers to the load being uniformly distributed over the entire platform area in accordance with EN 1570 the basic requirements are;



100 % of maximum load uniformly distributed over the entire platform.

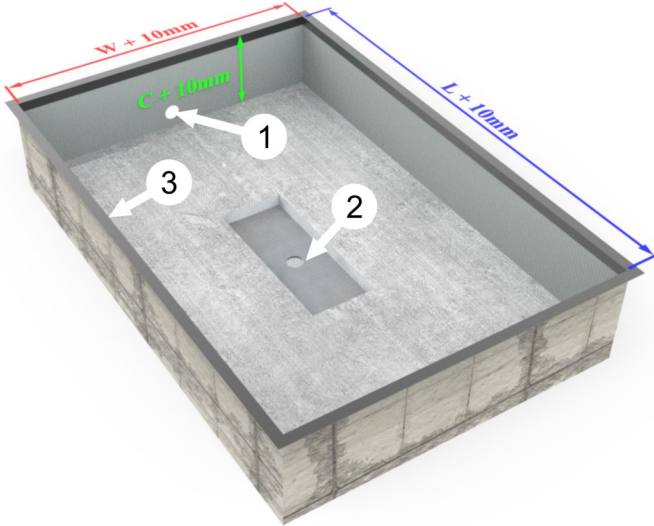


50 % of load weight uniformly distributed over half of the platform area lengthwise.



33 % of load weight uniformly distributed over half of the platform area sideways.

## Standard Pit Details



When a lifting table is installed in a pit, the pit should be constructed according to the illustration on the left.

- W = Width of the platform
- L = Length of the platform
- H = Lowest height of the lift table

The pit's ballast material must at least meet the concrete classification C12/15.

The hydraulic power pack for lifting tables in an outdoor environment should, where possible, be externally located in a covered or indoor environment.

- 1- Pipe for incoming cables, 100 mm in diameter. The fixed side of the lift table.
- 2- Drainage holes where required. This is centre of the pit should be 80 mm.
- 3- L-shaped profile 100x100 mm to reinforce the pit edges.

## ONDLIFT Mak. San. Tic. Ltd. Şti

**Factory:** Organize Sanayi Bolgesi 2004 Cad. No: 4 Turgutlu/Manisa/TURKEY

**Showroom:** İmes San. Sit. C.302 Sk. No:13 Y.Dudullu/Umraniye/Istanbul/TURKEY

Tel: 0090 236 332 5050

ondlift@ondlift.com

Product specifications are subject to change without any notice or obligation. The photographs and/or drawing in this documents are for illustrative purpose only. All productions of OndLift, manufacturing for CE standards.

**Turkey**  
Discover the potential

Onder Lift Celik



**43rd Years Anniversary**

Your warehous partner

Onder Group Company