

Technical Specifications

- Capacity: From 500 kg to 100 tons
- Travel: 500 to 4000 mm
- Closed Height: 180 - 800 mm
- Length: 900 - 6000 mm
- Width: 650 - 3000 mm
- CE-Marked and comply with European Norms and Standards
- 2 Safety lock for maintenance
- Safety trip bar in aluminum
- Available in Ral Colors
- Large in-house lift table stock for immediate delivery



NOTE: ALL DETAILS CAN BE CUSTOMIZED FOR YOUR NEEDS

OndLift is biggest manufacturer company in Lifting Tables sector in Turkey and exporting 32 countries.

OndLift' s Lift Tables series, designed for high lifting capacities and performance of applications.

OndLift' s Lift Tables series can be the manufacturing with different kind of options, such as mobile base, load-ing flaps, guard rails, rollers. (for detailed information, please check Lift Table Accessories Datasheet).

OndLift' s Lift Table series, have a vital role to create ergonomic and safe working conditions. Can be the best selection of challenging situations, high lifting capacities, intense pace of work.

For more information www.ondlift.com



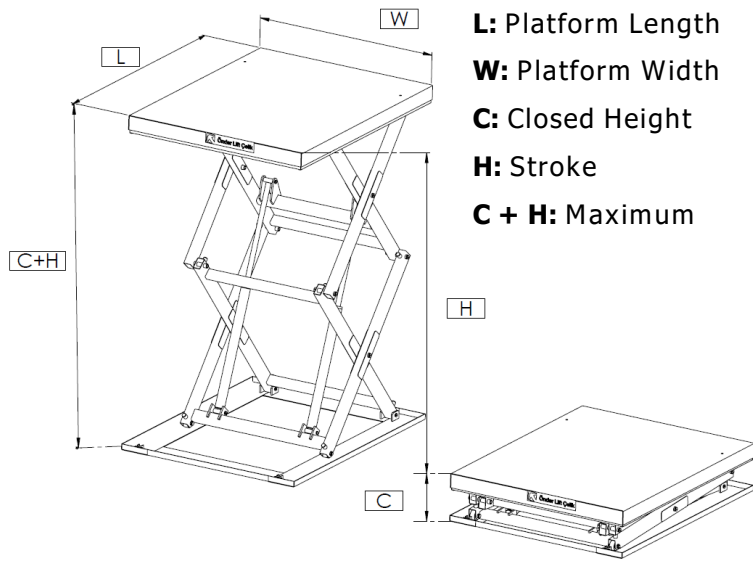
Art No	Model	Capacity kg	Platform Dimension LxW mm x mm	Lift Stroke H mm	Closed Height C mm	Lift Time sec	Motor kW	Weight kg
50.05.001	ESP.2/05-11	500	950 x 600	1100	300	20	1,1	250
50.05.002	ESP.2/05-16-1	500	1350 x 800	1600	350	26	1,5	300
50.05.003	ESP.2/05-16-2	500	1350 x 1000	1600	350	26	1,5	320
50.05.004	ESP.2/05-16-3	500	1500 x 1000	1600	350	26	1,5	330
50.05.005	ESP.2/05-25	500	1800 x 1000	2500	400	32	2,2	500
50.05.006	ESP.2/05-32	500	2250 x 1200	3200	450	40	2,2	1000
50.10.100	ESP.2/10-10	1000	950 x 600	1000	350	22	2,2	270
50.10.101	ESP.2/10-16-1	1000	1350 x 800	1600	350	24	2,2	330
50.10.102	ESP.2/10-16-2	1000	1350 x 1000	1600	350	24	2,2	350
50.10.103	ESP.2/10-16-3	1000	1500 x 1000	1600	350	24	2,2	360
50.10.104	ESP.2/10-25	1000	1800 x 1000	2500	450	32	2,2	550
50.10.105	ESP.2/10-26	1000	2000 x 1200	2600	450	38	2,2	1000
50.10.106	ESP.2/10-32-1	1000	2250 x 1200	3200	450	50	2,2	1150
50.10.107	ESP.2/10-32-2	1000	2250 x 1500	3200	450	50	2,2	1300
50.15.200	ESP.2/15-16-1	1500	1350 x 800	1600	400	26	2,2	350
50.15.201	ESP.2/15-16-2	1500	1350 x 1000	1600	400	26	2,2	370
50.15.202	ESP.2/15-16-3	1500	1500 x 1000	1600	400	26	2,2	380
50.15.203	ESP.2/15-25	1500	1800 x 1000	2500	450	35	2,2	580
50.15.204	ESP.2/15-26	1500	2000 x 1200	2600	450	42	2,2	1100
50.15.205	ESP.2/15-32-1	1500	2250 x 1200	3200	450	52	2,2	1250
50.15.206	ESP.2/15-32-2	1500	2250 x 1500	3200	450	52	2,2	1400
50.20.300	ESP.2/20-16-1	2000	1350 x 800	1600	450	30	2,2	420
50.20.301	ESP.2/20-16-2	2000	1350 x 1000	1600	450	30	2,2	450
50.20.302	ESP.2/20-16-3	2000	1500 x 1000	1600	450	30	2,2	470
50.20.303	ESP.2/20-25	2000	1800 x 1000	2500	450	40	3	740
50.20.304	ESP.2/20-26	2000	2000 x 1200	2600	450	45	3	1100
50.20.305	ESP.2/20-32-1	2000	2250 x 1500	3200	450	56	3	1400
50.20.306	ESP.2/20-32-2	2000	2500 x 1500	3200	500	56	4	1600
50.20.307	ESP.2/20-38	2000	3000 x 2000	3800	500	60	4	2200

Art No	Model	Capacity kg	Platform Dimension LxW mm x mm	Lift Stroke H mm	Closed Height C mm	Lift Time sec	Motor kW	Weight kg
50.30.400	ESP.2/30-15-1	3000	1350 x 800	1500	500	32	2,2	600
50.30.401	ESP.2/30-15-2	3000	1350 x 1000	1500	500	32	2,2	640
50.30.402	ESP.2/30-15-3	3000	1500 x 1000	1500	500	32	2,2	690
50.30.403	ESP.2/30-24	3000	1800 x 1000	2400	600	44	3	860
50.30.404	ESP.2/30-25	3000	2000 x 1200	2500	600	50	3	1300
50.30.405	ESP.2/30-30	3000	2250 x 1500	3000	650	60	4	1600
50.30.406	ESP.2/30-32	3000	2500 x 1500	3200	700	66	4	1800
50.30.407	ESP.2/30-38	3000	3000 x 2000	3800	700	66	5,5	2400
 								
50.40.500	ESP.2/40-15-1	4000	1350 x 1000	1500	500	36	2,2	750
50.40.501	ESP.2/40-15-2	4000	1500 x 1000	1500	500	36	2,2	800
50.40.502	ESP.2/40-24	4000	1800 x 1000	2400	600	48	3	1000
50.40.503	ESP.2/40-25	4000	2000 x 1200	2500	600	54	3	1500
50.40.504	ESP.2/40-30	4000	2250 x 1500	3000	650	66	4	1800
50.40.505	ESP.2/40-32	4000	2500 x 1500	3200	700	72	5,5	2100
50.40.506	ESP.2/40-36	4000	3000 x 2000	3600	700	74	5,5	2800

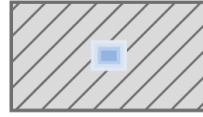
* External power pack

Technical Drawing

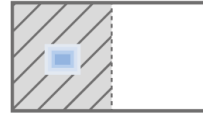
Load Factors Accordance with EN1570-1



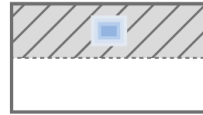
Maximum load refers to the load being uniformly distributed over the entire platform area in accordance with EN 1570 the basic requirements are;



100 % of maximum load uniformly distributed over the entire platform.



50 % of load weight uniformly distributed over half of the platform area lengthwise.



33 % of load weight uniformly distributed over half of the platform area sideways.

Standard Pit Details

When a lifting table is installed in a pit, the pit should be constructed according to the illustration on the left.

W = Width of the platform
 L = Length of the platform
 H = Lowest height of the lift table

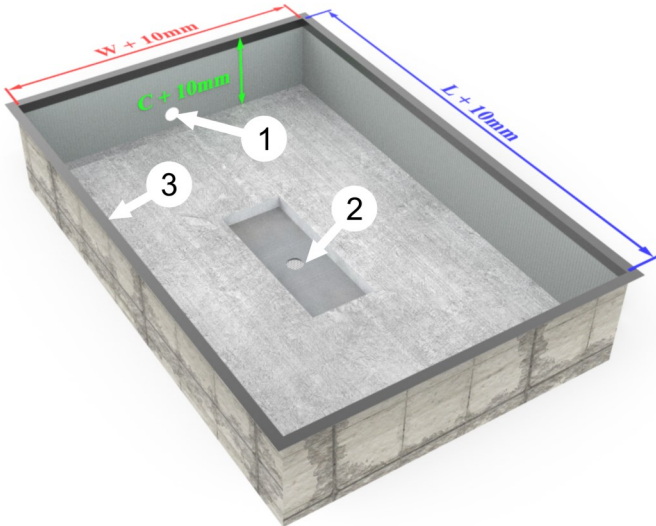
The pit's ballast material must at least meet the concrete classification C12/15.

The hydraulic power pack for lifting tables in an outdoor environment should, where possible, be externally located in a covered or indoor environment.

1- Pipe for incoming cables, 100 mm in diameter. The fixed side of the lift table.

2- Drainage holes where required. This is centre of the pit should be 80 mm.

3- L-shaped profile 100 x 100 mm to reinforce the pit edges.



ONDLIFT Mak. San. Tic. Ltd. Şti

Factory: Organize Sanayi Bolgesi 2004 Cad. No: 4
 Turgutlu/Manisa/TURKEY

Showroom: İmes San. Sit. C.302 Sk. No:13
 Y.Dudullu/Umraniye/Istanbul/TURKEY

Tel: 0090 236 332 5050

ondlift@ondlift.com

Product specifications are subject to change without any notice or obligation. The photographs and/or drawing in this documents are for illustrative purpose only. All productions of OndLift, manufacturing for CE standards.

Turkey
Discover the potential

Onder Lift Celik



43rd Years Anniversary

Your warehouse partner

Onder Group Company